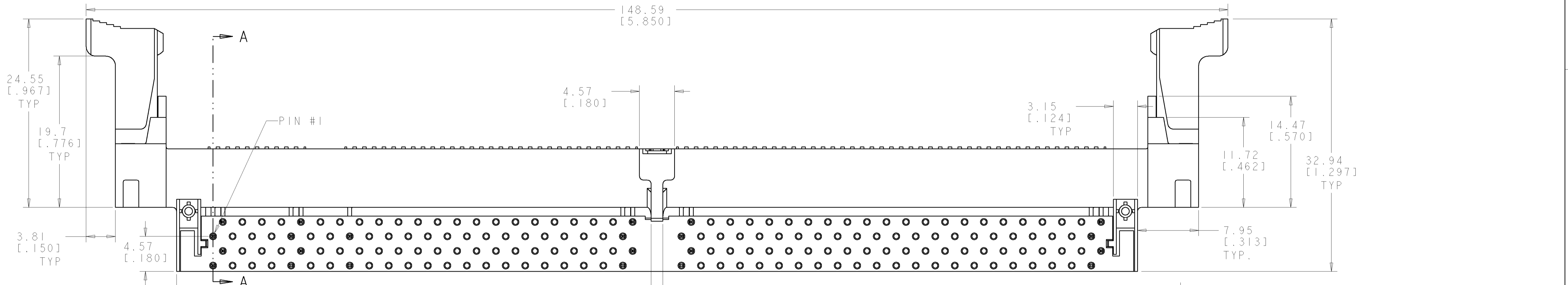
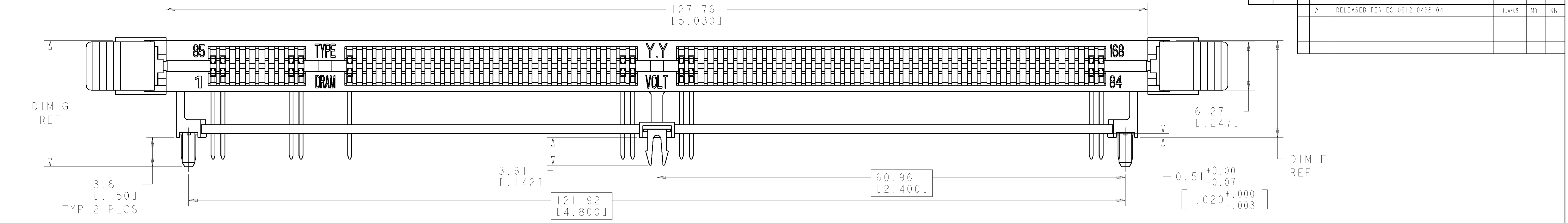
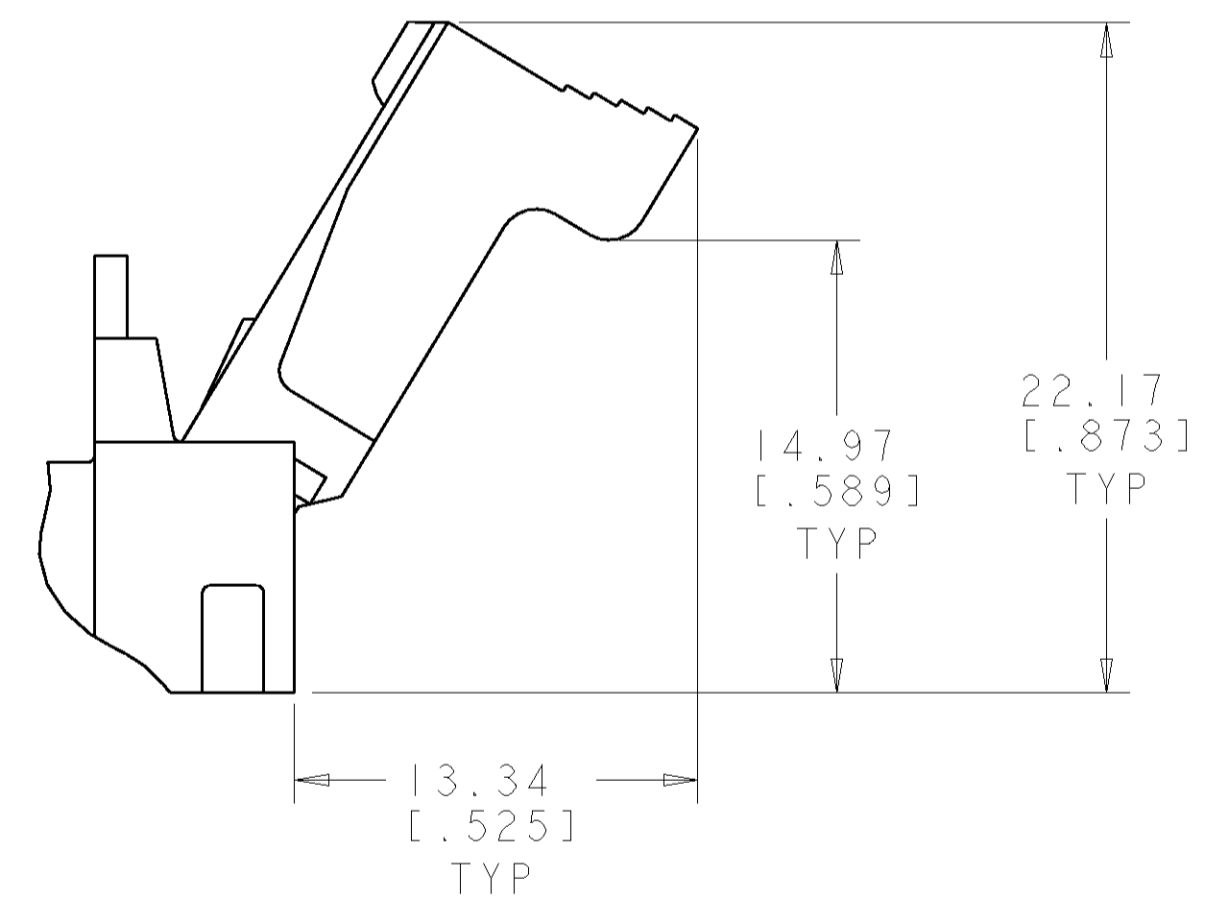


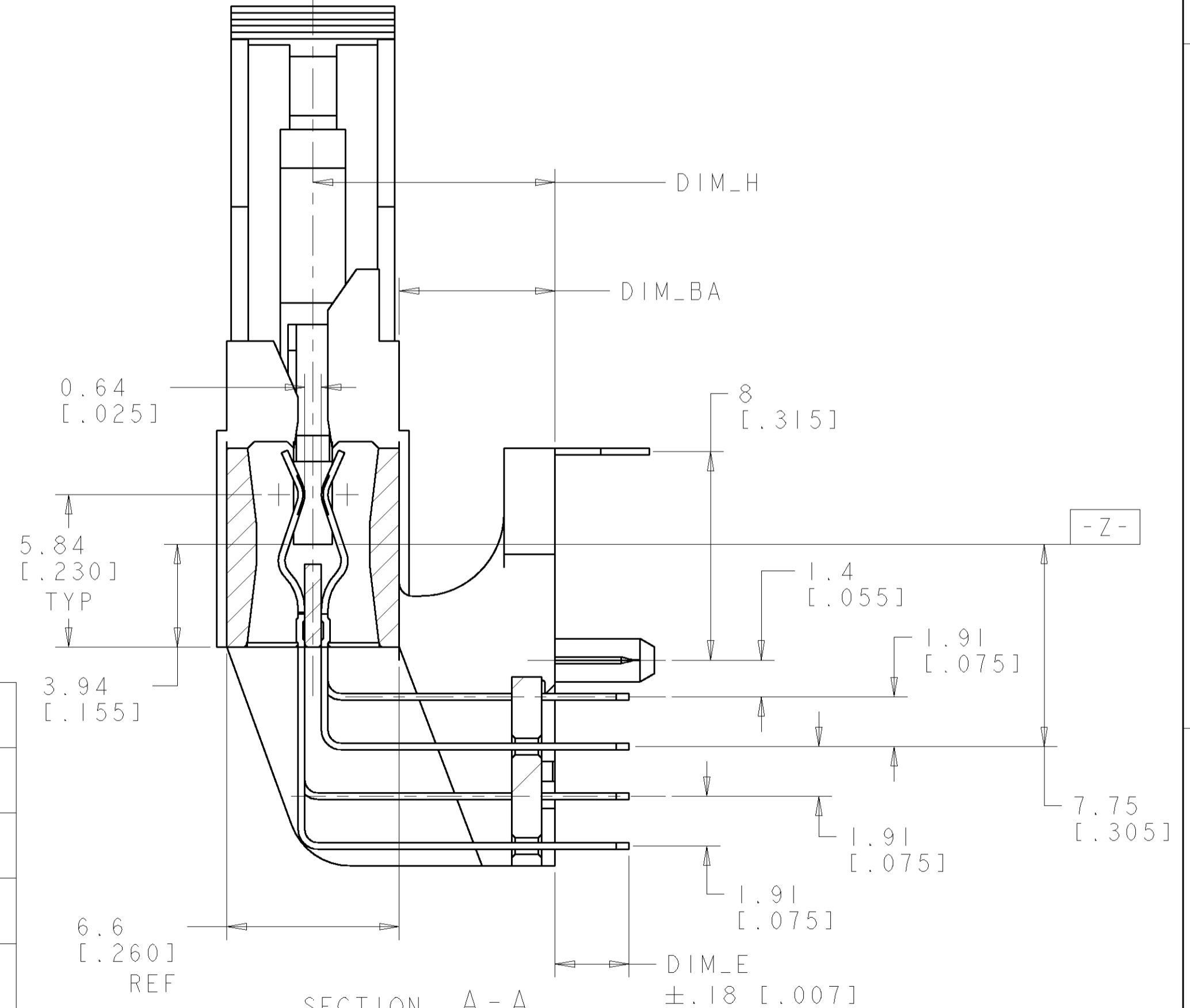
LOC		DIST		REVISIONS			
GP	0	P	LTR	DESCRIPTION	DATE	DWN	APVD
		A		RELEASED PER EC 0512-0488-04	11JAN05	MY	SB



- △ MATERIAL:
HOUSING: HIGH TEMPERATURE NYLON
CONTACT: PHOSPHOR BRONZE
- △ FINISH:
CONTACT AREA:
0.00076 [.000030] MIN THICK GOLD OVER
0.001270 [.000050] MIN THICK NICKEL.
OR
0.000076 [.000003] MIN THICK GOLD FLASH OVER
0.000510 [.000020] MIN THICK PALLADIUM NICKEL OVER
0.001270 [.000050] MIN THICK NICKEL.
SOLDERTAIL:
0.00381 [.000150] MIN THICK MATTE TIN OVER
0.00064 [.000025] MIN THICK NICKEL.



EXTRACTOR SHOWN IN THE OPEN POSITION



SECTION A-A
SCALE 6:1

NB	3.3	10.92 [.430]	18.03 [.710]	14.22 [.560]	3.68 [.145]	7.62 [.300]	DETAIL C	DETAIL A	SYNC NON-BUFFERED DRAM, 3.3 VOLT	2-5390171-6
NB	3.3	10.92 [.430]	18.03 [.710]	14.22 [.560]	3.18 [.125]	7.62 [.300]	DETAIL C	DETAIL A	SYNC NON-BUFFERED DRAM, 3.3 VOLT	1-5390171-6
SYNC	3.3	10.92 [.430]	18.03 [.710]	14.22 [.560]	3.18 [.125]	7.62 [.300]	DETAIL B	DETAIL A	SYNC DRAM, 3.3 VOLT	1-5390171-5
STD	3.3	10.92 [.430]	18.03 [.710]	14.22 [.560]	3.18 [.125]	7.62 [.300]	DETAIL A	DETAIL A	STD DRAM, 3.3 VOLT	1-5390171-4
NB	3.3	9.27 [.365]	16.38 [.645]	12.57 [.495]	2.83 [.112]	5.97 [.235]	DETAIL C	DETAIL A	SYNC NON-BUFFERED DRAM, 3.3 VOLT	1-5390171-0
NB	3.3	9.27 [.365]	16.38 [.645]	12.57 [.495]	2.83 [.112]	5.97 [.235]	DETAIL C	DETAIL A	SYNC NON-BUFFERED DRAM, 3.3 VOLT	5390171-6 △
SYNC	3.3	9.27 [.365]	16.38 [.645]	12.57 [.495]	2.83 [.112]	5.97 [.235]	DETAIL B	DETAIL A	SYNC DRAM, 3.3 VOLT	5390171-5
STD	3.3	9.27 [.365]	16.38 [.645]	12.57 [.495]	2.83 [.112]	5.97 [.235]	DETAIL A	DETAIL A	STD DRAM, 3.3 VOLT	5390171-4
TYPE	Y.Y	DIM_H	DIM_G	DIM_F	DIM_E ±.18 [.007]	DIM_BA	KEY #1	KEY #2	PART DESCRIPTION	PART NUMBER

DIMENSIONS: mm [INCHES]		TOLERANCES UNLESS OTHERWISE SPECIFIED:		DWN M. YEOMANS 11JAN05 CHK M. YEOMANS 11JAN05 APVD S. BURKHOLDER 11JAN05		AMP Incorporated Harrisburg, PA 17105-3608	
0 PLC	±	0.13	±	NAME	SOCKET, DIMM., DRO, RT ANGLE, 168 POSITION, 17.78mm LOCKING EXTRACTORS.		
1 PLC	±	0.13	±	PRODUCT SPEC	-		
2 PLC	±	0.13	±	APPLICATION SPEC	-		
3 PLC	±	0.13	±	SIZE	A 00779C=5390171		
4 PLC	±	0.13	±	SCALE	4:1		
5 PLC	±	0.13	±	SHEET	1 OF 2		
6 PLC	±	0.13	±	REV	A		
7 PLC	±	0.13	±	CUSTOMER DRAWING	-		

